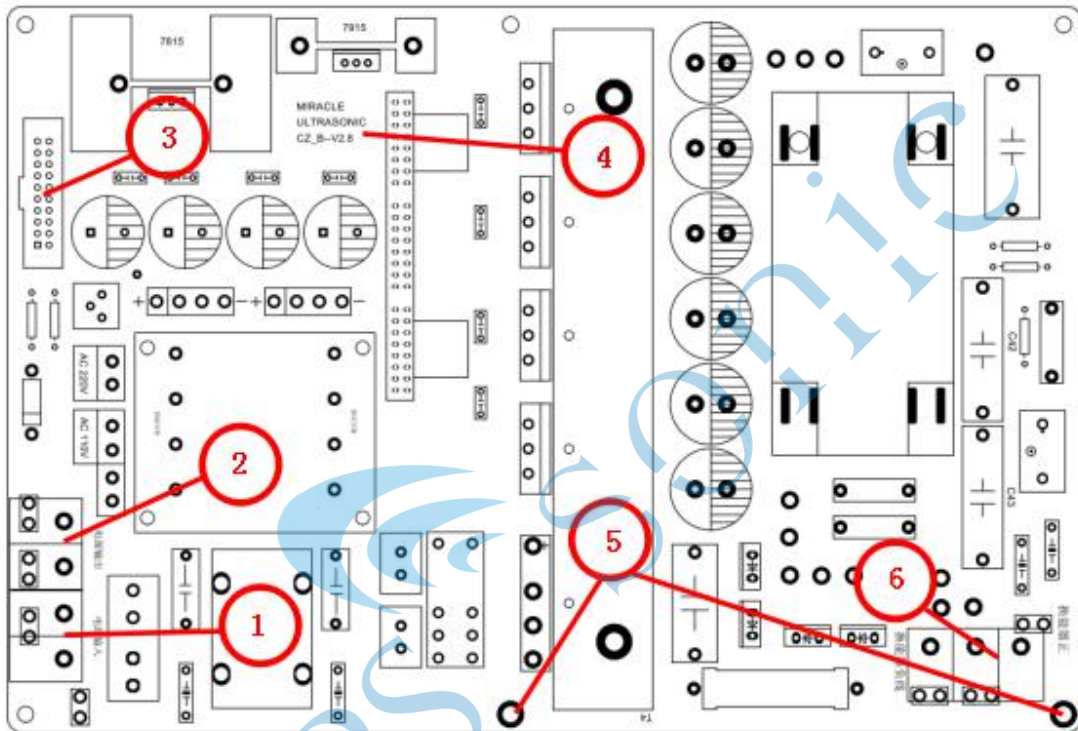
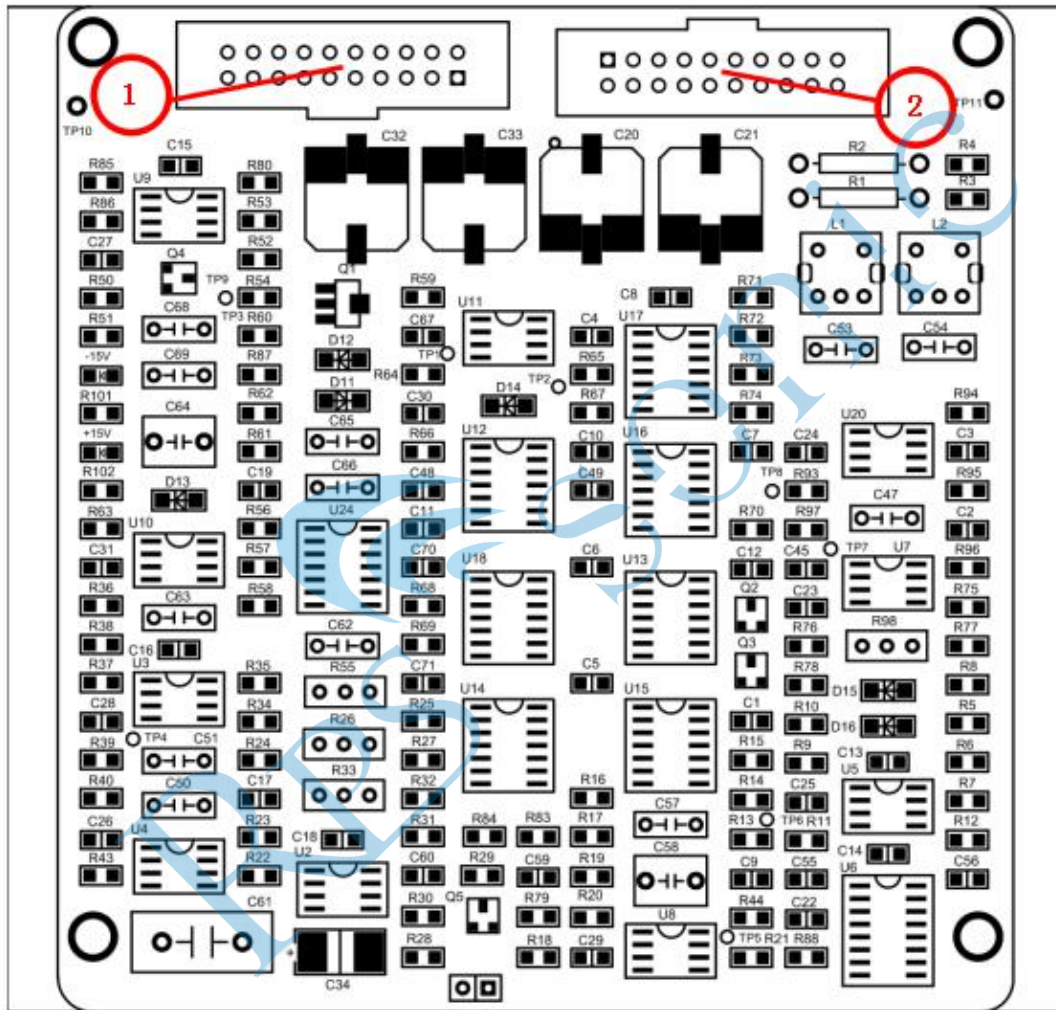


First. Main board connection:



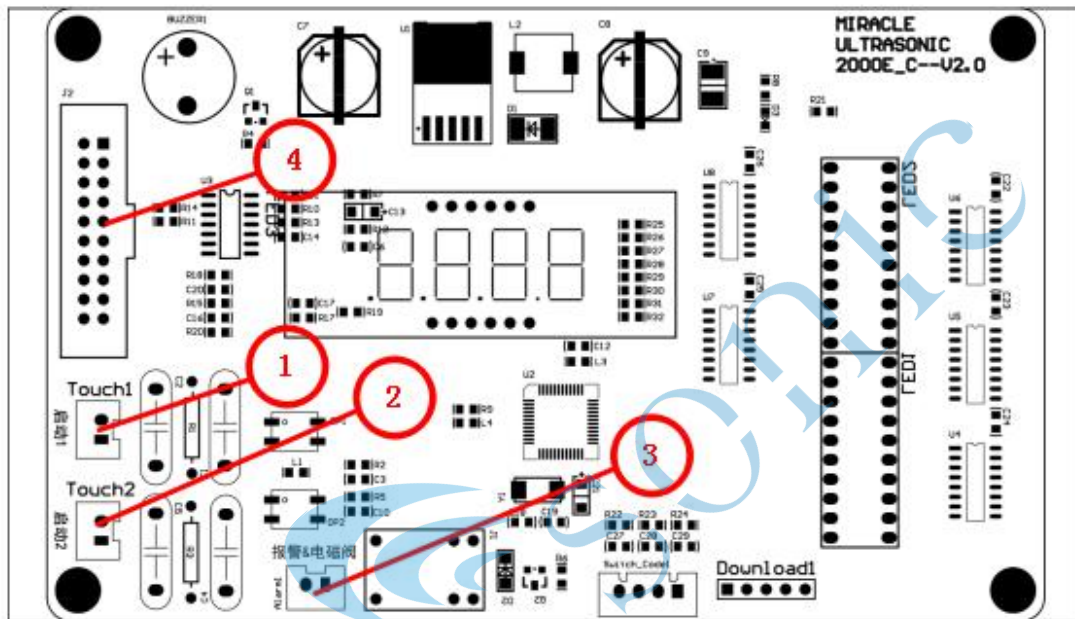
Item	Name	Description
1	AC input	Power input
2	AC output	Power output for fan
3	Connect Frequency lock connect to PCB	20Pin Connect Frequency lock connect to PCB。
4	PCB version number	无。
5	Grounding hole	connect the metal box to increase the shielding effect.
6	Transducer output	Transducer output

Second. Frequency lock PCB board connection



Item	Name	Description
1	20Pin	Connect operate PCB board
2	20Pin	Connect the main board

Third.Human interaction PCB board



Item	Name	Description
1	Switch signal 1	The start signal only supports switch shorting or relay shorting.
2	Switch signal 2	The start signal only supports switch shorting or relay shorting.
3	Alarm output or solenoid valve control	Alarm output or solenoid valve control (modified according to customer requirements, default is alarm), the output is relay signal.
4	20Pin	Connect to frequency lock PCB.